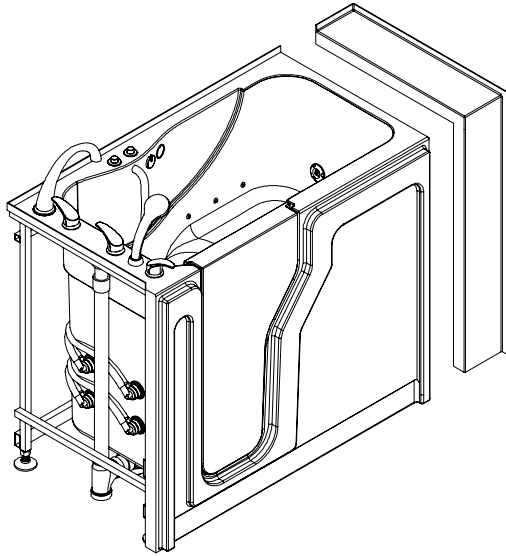


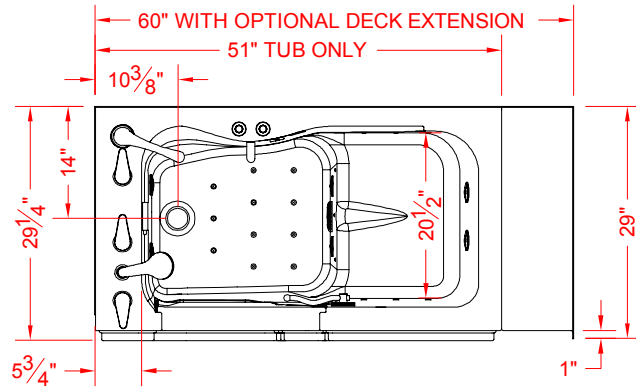
MODEL: XTW5128 L/R

ESCAPE 5128

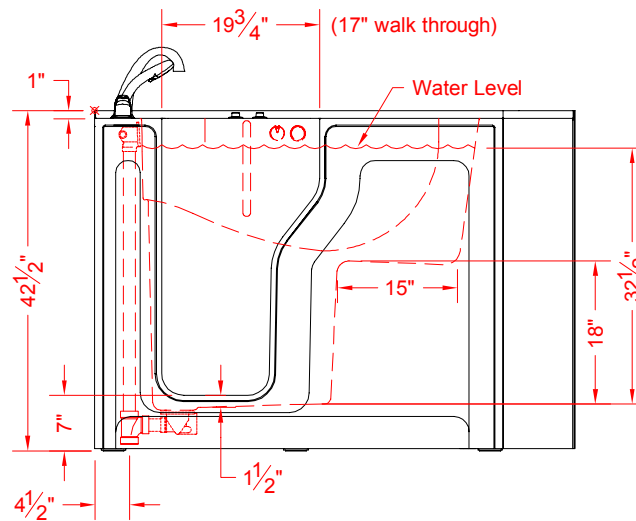
SHOWN WITH OPTIONAL DECK EXTENSION AND JET SYSTEMS



PERSPECTIVE VIEW - N.T.S.
MODEL SHOWN HERE AS:
 LEFT HAND BATHTUB
 HUNTINGTON BRASS 3/4" VALVE
 AIR/WATER COMBO JET SYSTEMS



TOP VIEW - SCALE 1/2" = 1'-0"



FRONT VIEW - SCALE: 1/2" = 1'-0"

Features:

- Designed to fit in the space of your current bathtub
- Seat height is designed for ease of sitting and standing
- Extra deep for a full body soak
- Patented door lever-handle designed for easy operation
- Reliable door seal that comes with a limited lifetime warranty
- Allows you the freedom to rehab at home
- 2" drain kit for faster draining
- Space under tub allows for "reverse" plumbing.
- Optional air/water or microbubble upgrades available (page 2)
- Optional deck extension, end panel to complete alcove or corner installation, or wall surround (page 3)

PRODUCT SPECIFICATIONS:

-Walk-in soaker or jetted bathtub with pressure sealed door shall be of gelcoat / composite construction and have a magnetically attached panel and optional deck/skirt extension or end panel.

C.S.I. FORMAT SPECIFICATION TEXT AVAILABLE

PRODUCT INFORMATION:

- Accessories: factory installed tub bar and optional plumbing rough-in, all other accessories installed by others
- Colors: White standard
- Fill volume with a 170 lbs. bather: 75 gallons
- Soaker tub weight, dry, approx. 188 lbs.
- Total weight of soaker tub, bather, and water: approx. 988 lbs.
- Jetted tub weight, dry, approx. 228 lbs.
- Total weight of jetted tub, bather, and water: approx. 1028 lbs.

ACCESSORIES:

STANDARD:

- Tub bar
- 2" cable operated drain

OPTIONAL:

- Roman tub filler package options
- Thermostatic mixing valve options
- Grab bars for installation on wall surround
- Air/water jet combination or microbubble system upgrade for additional therapy
- Ozone sanitation for hydrotherapy system
- Flange trim kit
- Deck extension
- End panel

CODES:

Designed and manufactured in compliance with the following standards and codes:

- C.S.A. B45.5-11 / A.N.S.I. Z124-2011 Plastic Plumbing Fixtures
- A.S.M.E. A112.19.7M-1995 Whirlpool Bathtub Appliances
- A.S.M.E. A112.19.8M-1987 Suction Fittings for use in Whirlpool Bathtubs
- A.S.M.E. A112.19.15-2001 Bathtubs / Whirlpool Bathtubs with pressure sealed doors
- Underwriters Laboratories 1795 Hydro Massage Bathtubs

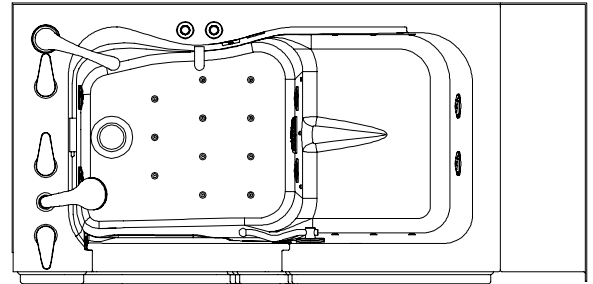


We reserve the right to make revisions without notice in the design of fixtures or in packaging unless this right has specifically been waived at the time the order is accepted.

OPTIONAL HYDROTHERAPY PACKAGES

Escape 5128 Air and Water Jet System Combination: 5128JETS*

Air and water jet combination upgrade includes: heated air blower with 20 chrome air jets, heat-recycling water jet pump with 8 adjustable chrome jets, and an electric seat heater to warm the seat during filling and draining. Jet systems are controlled with air buttons into one main controller unit requiring only one dedicated 20 amp circuit to power all systems.

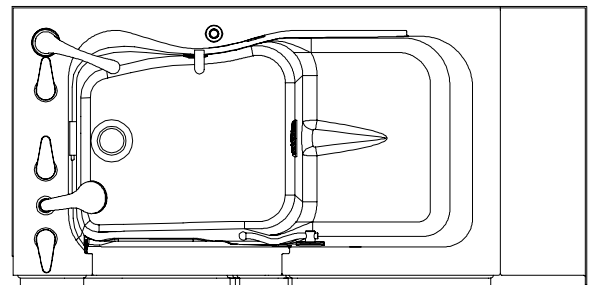


Ozone sanitation system* can be added to this package for water recirculation sanitation without additional power requirements.

*P/N: OZONATOR

Escape 5128 Microbubble System: MICROBUBBLES*

Microbubble upgrade includes: microbubble system and an electric seat heater to warm the seat during filling and draining. Microbubble system is controlled with an air button into one main controller unit requiring only one dedicated 20 amp circuit to power the microbubble pump and seat heater.



Ozone sanitation system* can be added to this package for water recirculation sanitation without additional power requirements.

*P/N: OZONATOR

Power requirements for either hydrotherapy upgrade: 120V/20A

Water pump - US/CAN: Syllent MB71E0032AS/UL

Air blower - US/CAN: CG Air SLO-3-75-120/60A-N

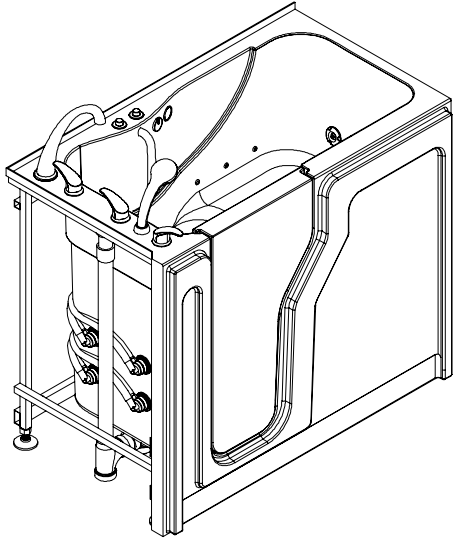
Microbubble pump - US/CAN: CG Air PP-01-N

Suction fitting: CG Air SUC-S

ESCAPE 5128 WALK-IN BATHTUB

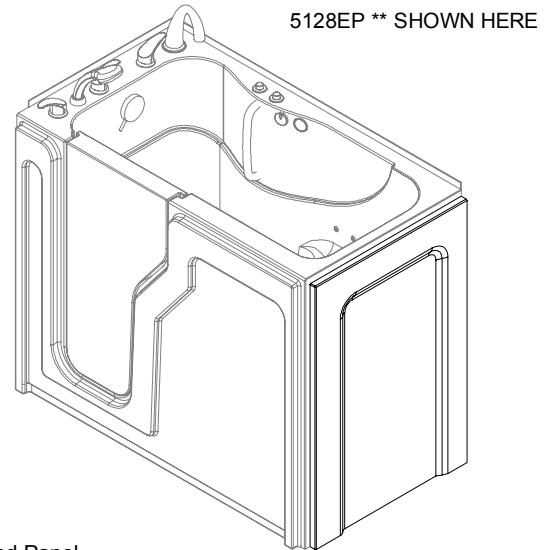
OPTIONAL INSTALLATION ACCESSORIES:

①



As-is, no additional parts included to install in 51" framing pocket

②



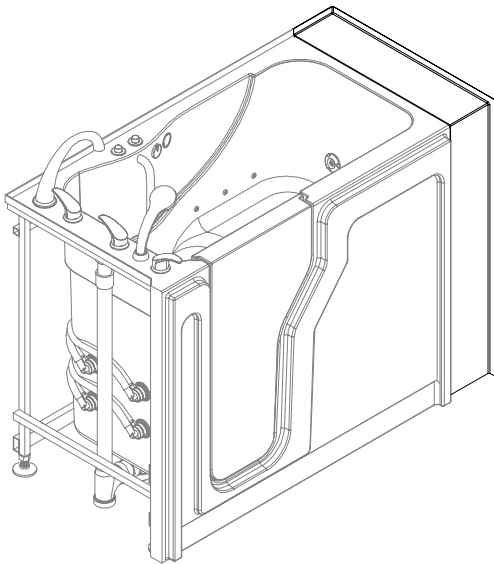
- With End Panel
- For a CORNER installation

Escape 5128 End Panel
Model # 5128EP

** END PANEL DESIGNED FOR MOUNTING ON SEAT END FOR END PANEL ON PLUMBING END, REQUEST A QUOTE

③

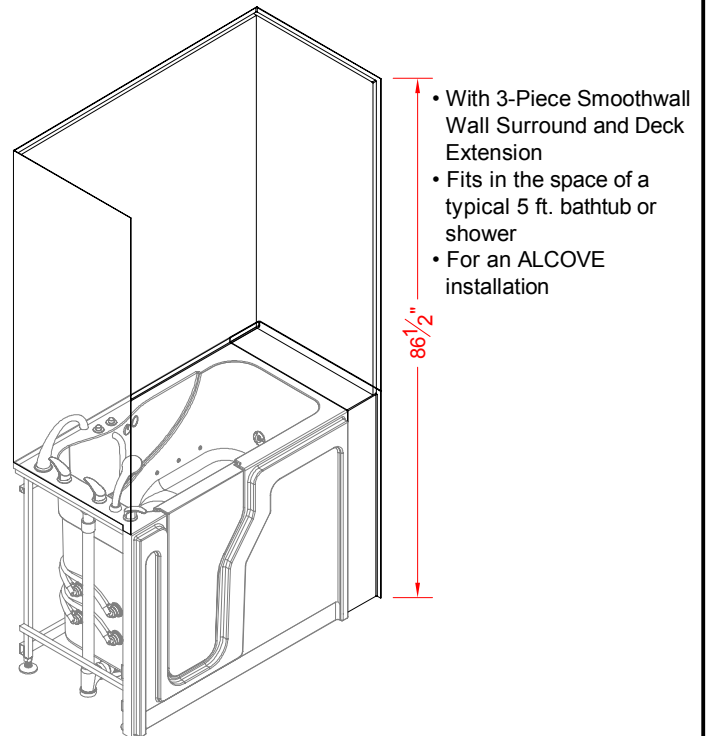
5128EXTL ** SHOWN HERE



- With Deck Extension
- Fits in the space of a typical 5 ft. bathtub or shower
- For an ALCOVE installation

Escape 5128 Deck Extension
Model # 5128EXTL / 5128EXTR
** EXTENSION HANDING TO MATCH TUB (INSTALLED OPPOSITE THE PLUMBING)

3SWS6028 & 5128EXTL ** SHOWN HERE



- With 3-Piece Smoothwall Wall Surround and Deck Extension
- Fits in the space of a typical 5 ft. bathtub or shower
- For an ALCOVE installation

Escape 5128 Wall Surround + Deck Extension
Model # 3SWS6028 + 5128EXTL / 5128EXTR
** EXTENSION HANDING TO MATCH TUB (INSTALLED OPPOSITE THE PLUMBING)