



**CONSUMERAFFAIRS**

★★★★★ 4.8/5

# 2000 Curved Stairlift

Versatility Meets Thoughtful Design

---

“My Handicare 2000 Stairlift has been a great investment for our home, our stairs are not an obstacle anymore! I can move about my home freely anytime I want, especially when our grandchildren come to visit.”

---

## Features

**Twin Rail System**

**Compact and Foldable**

**Multiple Rail Color and Seat Options**

**Easy to Use and Maintain**

**Outdoor Model Available**

**Available Powered Footrest, and Seat Swivel Options**

**Obstruction Free Add-ons for Bottom Landings**



**Two Safe Working Load (SWL) Options**

255 lb (115 kg)  
Heavy Duty: 302 lb (137 kg)



**Warranty**

2000: 2 years  
Motor and Gearbox: Limited Lifetime



# Regain your independence and conquer the struggles of staircases.

Handicare offers stairlift solutions that provide freedom of movement throughout your home, allowing you to age in place free from everyday obstacles. Our compact and customized stairlifts can be installed anywhere. We have millions of satisfied customers worldwide with a dealer network across North America to support you.

## Limitless design options. Versatile twin rail system.

The Handicare 2000 Curved Stairlift provides complete versatility complimented with thoughtful design options. The breakthrough design uses twin rails to create the tightest bends on your staircase taking up much less space than any other stairlift. The versatility of the 2000 truly makes it stand out, staircases indoors or outdoors present no challenge thanks to two unique models for either environment.

Easy to maintain with a quiet and smooth ride that provides the ultimate in safety and comfort. The 2000 is available in a variety of seat styles and rail color options to match your home décor and personal taste.



### Did You Know?

We have over 700,000  
satisfied customers  
around the world.

# Features for Your Safety and Convenience



## Compact

The 2000 folds up easily maximizing the space for family members to go up and down the stairs as needed when not in use.



## Did You Know?

**Crafted for your staircase.**

**Each 2000 stairlift rail is designed and manufactured specifically to fit your staircase, ensuring an accurate fit to maximize space for other stair users.**



## Easy to Use

Ergonomic and intuitive to use, the joystick on the armrest smoothly operates the 2000.

Send for your stairlift at the touch of a button with the included remote control. Two are included with your 2000 with holders for both the top and bottom landings.



## Adaptable

The 2000 can be combined with a powered hinge to prevent the track from obstructing a doorway at the base of the stairs.



## Multiple Charge Points

The 2000 has a battery backup feature, in the event of a power outage your lift will continue to function for up to ten rides.

Charge points are conveniently located at the top and bottom of stairs for pain-free recharging.



## Retractable Seatbelt

The 2000 comes equipped with an easy-to-use retractable seat belt, a standard feature that provides added security when safely seated in your stairlift.



### Stairlift Myth

**"Maintaining a stairlift is expensive."**

**Cost-effective parts, maintenance friendly design, and Handicare's industry-leading warranty make the 2000 the smart choice.**



## Great Outdoors

Equipped to weather the great outdoors, the 2000 is UV protected and weatherproof to withstand the elements. We also include a waterproof cover so your 2000 is always dry and ready to use!



## Safety First

The optional powered footrest allows you to fold and unfold the footrest without having to bend down.

The 2000 is also fitted with multiple safety sensors which stop the stairlift whenever it runs into an obstacle.



## Automatic Swivel

The optional powered swivel makes it easy to get off the lift at the top of landings, simply hold the toggle switch in the direction of the landing to turn the seat for a controlled departure. With 80 degrees of tilt, you face more of your top landing providing greater security when getting up from your 2000 stairlift. (Manual swivel standard.)

# Tailor made for you and your home!



## Smart Seat

The Smart seat provides an endless array of options and upgrades. The six seat colors in leatherette upholstery can satisfy all needs and personal tastes to accommodate anyone.

### Options

- Powered Swivel ✓
- Powered Footrest ✓
- Heavy Duty Kit ✓
- Body Harness ✓
- Outdoor ✓

### Seat Colors



Smart Perch is ideal for narrow staircases, and people with knee or hip joint problems that cannot sit down. The raised seat, reduced seat depth, and seatbelt allow you to ride slightly standing.



## Style Seat

The Style seat features a polished design with modern looks built for comfort. Available with powered options providing ultimate convenience. Choose from three unique colors in leatherette upholstery to match any home décor.

### Options

- Powered Swivel ✓
- Powered Footrest ✓
- Heavy Duty Kit ✓

### Seat Colors



## Simplicity Seat

The Simplicity seat features a classic look and is available in a leatherette sand-colored finish, our entry level seat that's easy to use for the budget conscious.

### Options

- Powered Footrest ✓
- Heavy Duty Kit ✓

### Seat Colors



Choose from 3 Standard Rail Colors  
Custom color available with additional surcharge



# Frequently Asked Questions

We strive for 100% customer satisfaction. That is why we go the extra mile to offer you the highest standards of service and answer your questions in the best way possible. We partner with the industry's leading dealers that have a track record of exceptional local support.

We have listed some of our customers' most frequently asked questions. Should you have further questions, please contact your local dealer for a consultation.



## Can a stairlift be installed on my staircase?

Handicare offers a wide selection of stairlifts for straight and curved stairs. With a variety of lift models we are able to provide a suitable solution for each setting regardless of whether the stairs are narrow, steep, curved or long, indoor or outdoor. Handicare always has a solution for your staircase.

## Does it take major renovation to install a stairlift in my home?

No! The 2000 Stairlift is simply installed onto the stair treads. Because it is fixed to the staircase, you don't have to worry about any further modification to your home.

## How do I enter and exit from a stairlift?

Entering and exiting the 2000 Stairlift is made easy, simply unfold the seat and footrest, sit down while securing the seat belt. When it's time to exit your 2000 Stairlift, you can use easily swivel the seat to face your landing for a controlled departure.

## Can others still use my stairs?

Compact and ultra slim, the 2000 Stairlift can easily be folded up when not in use to allow for easy pass-through for family members and friends.

## What happens to my stairlift during a power outage?

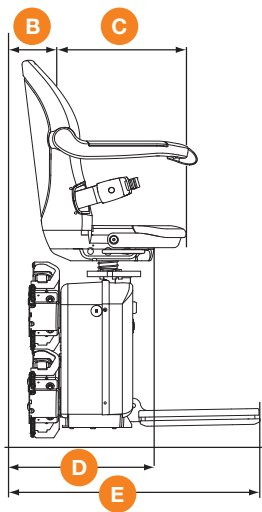
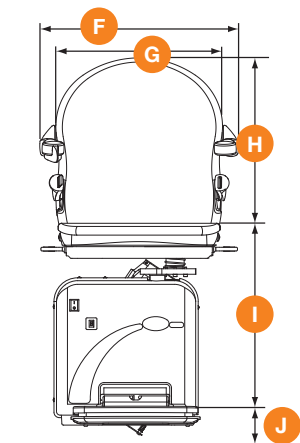
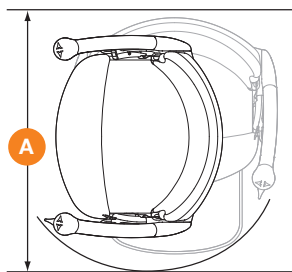
A power failure is no reason to worry. Your Handicare stairlift will use its batteries to remain operational and can still be used for at least 10 rides up and down the stairs.



### 2000 Stairlift Fact!

**Our patented PhotoSurvey 4D software allows you to see what your stairlift will look like on your staircase before placing your order!**

# 2000 Curved Stairlift Specifications



## Safe Working Load (SWL)

255 lb (115 kg)

Heavy Duty: 302 lb (137 kg)

Some of the dimensions depend on the characteristics of the staircase in the home. Handicare reserves the right to alter designs and specifications without prior notice.

## 2000 Seat Dimensions

<b>A</b> Swivel radius, minimum	27.125 in (689 mm)
<b>B</b> Wall to inner seat back	3.5 in (89 mm)
<b>C</b> Seat depth	14.25 in (362 mm)
<b>D</b> Folded width to footrest, minimum	15.75 in (400 mm)
<b>E</b> Open width to edge of footrest, minimum	27.0 in (686 mm)
<b>F</b> Armrest width, external	21.625 in (549 mm)
<b>G</b> Armrest width, internal	17.75 in (451 mm)
<b>H</b> Seat back height	15.75 in (400 mm)
<b>I</b> Footrest to seat height	16.75 in (425 mm)
<b>J</b> Footrest height, minimum	2.75 in (70 mm)
Track intrusion into staircase, minimum	4.25 in (108 mm)
Weight limit, maximum	255 lb (115 kg)
Heavy duty version	302 lb (137 kg)

\*Dimensions vary based on seat style selected and may vary depending on hand of seat.  
\*\*Seat depicted in specification drawings is our Smart Seat.

Are you ready to take back your independence with the 2000?

To learn more, call 1-888-637-8155 or visit [www.handicareusa.com](http://www.handicareusa.com) / [handicare.ca](http://handicare.ca)